

ER-1 Emergency Response System

INSTALLATION & PROGRAMMING GUIDE



micron
security products

Copyright © micron 2005

Contents

Product Description	3
Console Operation Overview	4
Console Wiring Diagram	5
User Manual	6
Transmitter Assembly Options	7
Programmed Options	8
Installer Contact	8
Technical Specifications	8



Micron Security Products Ltd
30-32 Crummer Road
PO Box 78-006 Grey Lynn
Auckland New Zealand
Phone: 64 9 378 6098
Facsimile: 64 9 378 6454
Email: info@micronsecurity.com
www.micronsecurity.com

PRODUCT DESCRIPTION

ER-1 is a supervised emergency reporting console designed primarily for medical alert applications.

ER-1 will call a central station over the public telephone network with the simple press of a button, providing the user with security, freedom and peace of mind in the knowledge that assistance is available 24 Hours a day, 365 days a year.

The modern design of the ER-1 unit allows it to be sited on a desk or mounted on a wall.

An emergency call can be triggered by the large emergency button on the front of ER-1 or from a small personal radio transmitter worn either as a pendant, watch or belt clip.

Superior range allows the pendant to be used both inside and outside.

For the visually impaired, each button on the ER-1 is moulded with an embossed symbol to identify the button's function.

The ER-1 can receive signals from up to 16 wireless pendants/wrist transmitters.

Activating the ER-1 causes the console to send an emergency alarm report to a central monitoring station (CMS) and to provide an audible and visual indication of the event.

After receiving an alarm report the central station operator will call the activating ER-1 and conduct a two way communication with the user. See page 8 "auto answer timer".

The ER-1 console supports 3 voice communication modes:

- two way hands free duplex. CMS calls back within 30 seconds and presses # for 2 way communication. See page 9 (Auto answer timer) for extended connect time to CMS for operator call back.
- one way, speak only* CMS response. Press key 1 to increase volume (talk)
- one way, listen only* CMS response. Press key 2 to increase volume (listen)

* volume automatically increased +6db

After an alarm report has been sent to the central station, the ER-1 can send up to 3 email messages to friends, family or doctor etc.

ER-1 is mains powered, and connects to a standard telephone socket. In the event of mains power failure an internal re-chargeable backup battery provides power for emergency calls for up to 40 hours. The ER-1 may be programmed to report mains power loss to the central station.

ER-1 also detects a defective telephone line.

ER-1 may be programmed locally or remotely without the use of specialized software.

- using the standard serial com port of a computer (locally)
- using a standard modem (remotely)

The ER-1 unit can be sited on a table or mounted on a wall. The unit requires a telephone socket and power point nearby. ER-1 should be sited in a central location. Ensure that the user can reach ER-1 quickly.

Do not site ER-1

- Close to or on large metal structures
- Closer than one meter from mains wiring or metal, water or gas pipes
- Inside steel enclosures
- Next to electronic equipment, particularly a TV, Hi-Fi or other radio equipment

CONSOLE OPERATION OVERVIEW

NIGHT/DAY button (Blue)

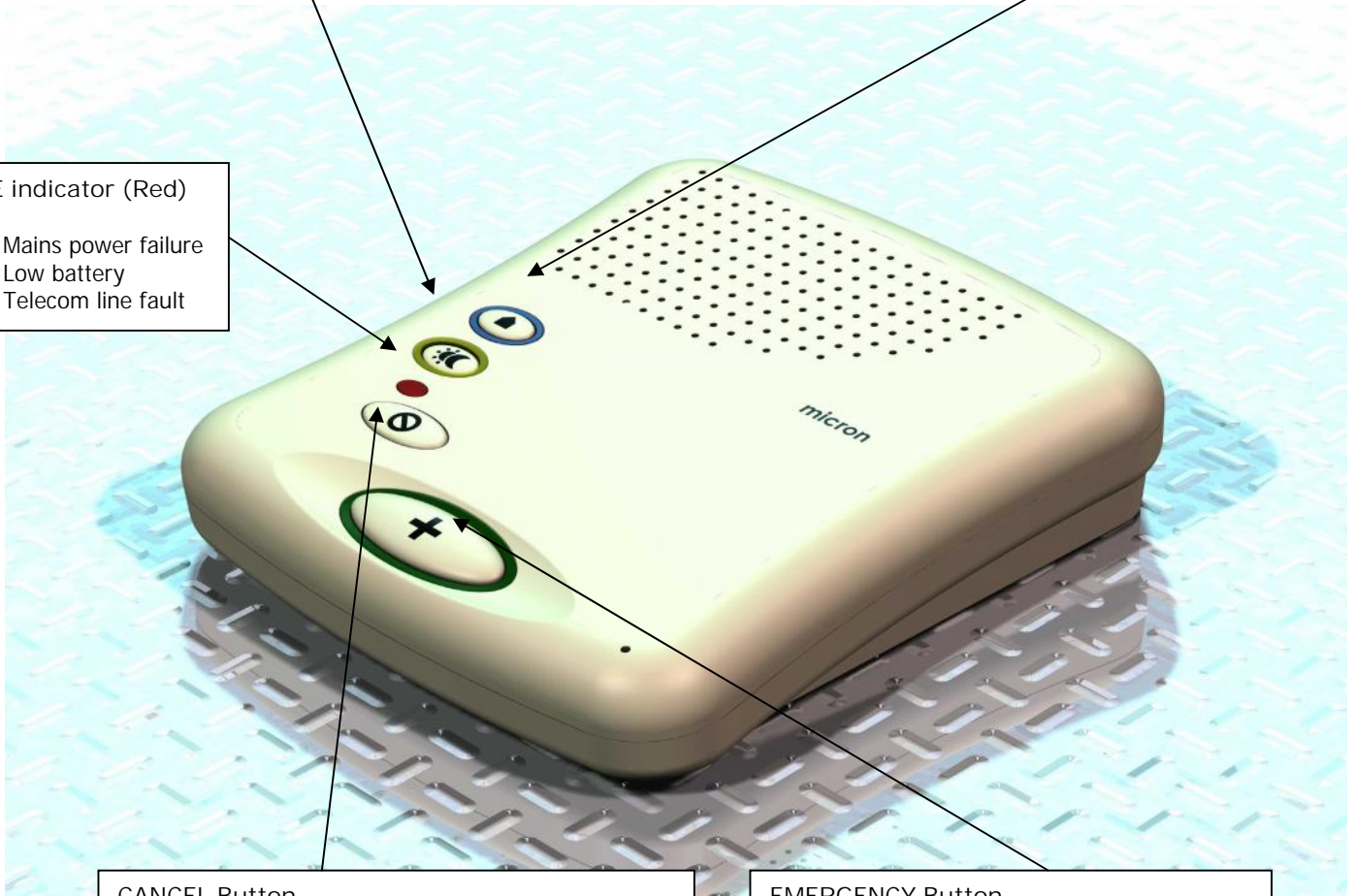
- NIGHT: Blue lamp on
Inactivity night monitor activated if selected
- DAY: Lamp off
Inactivity day monitor activated if selected

HOME/AWAY button (Yellow)

- AWAY: Yellow flashing lamp
Inactivity monitor not activated if selected
- HOME: Lamp off
Inactivity monitor activated if selected

TROUBLE indicator (Red)

- Mains power failure
- Low battery
- Telecom line fault



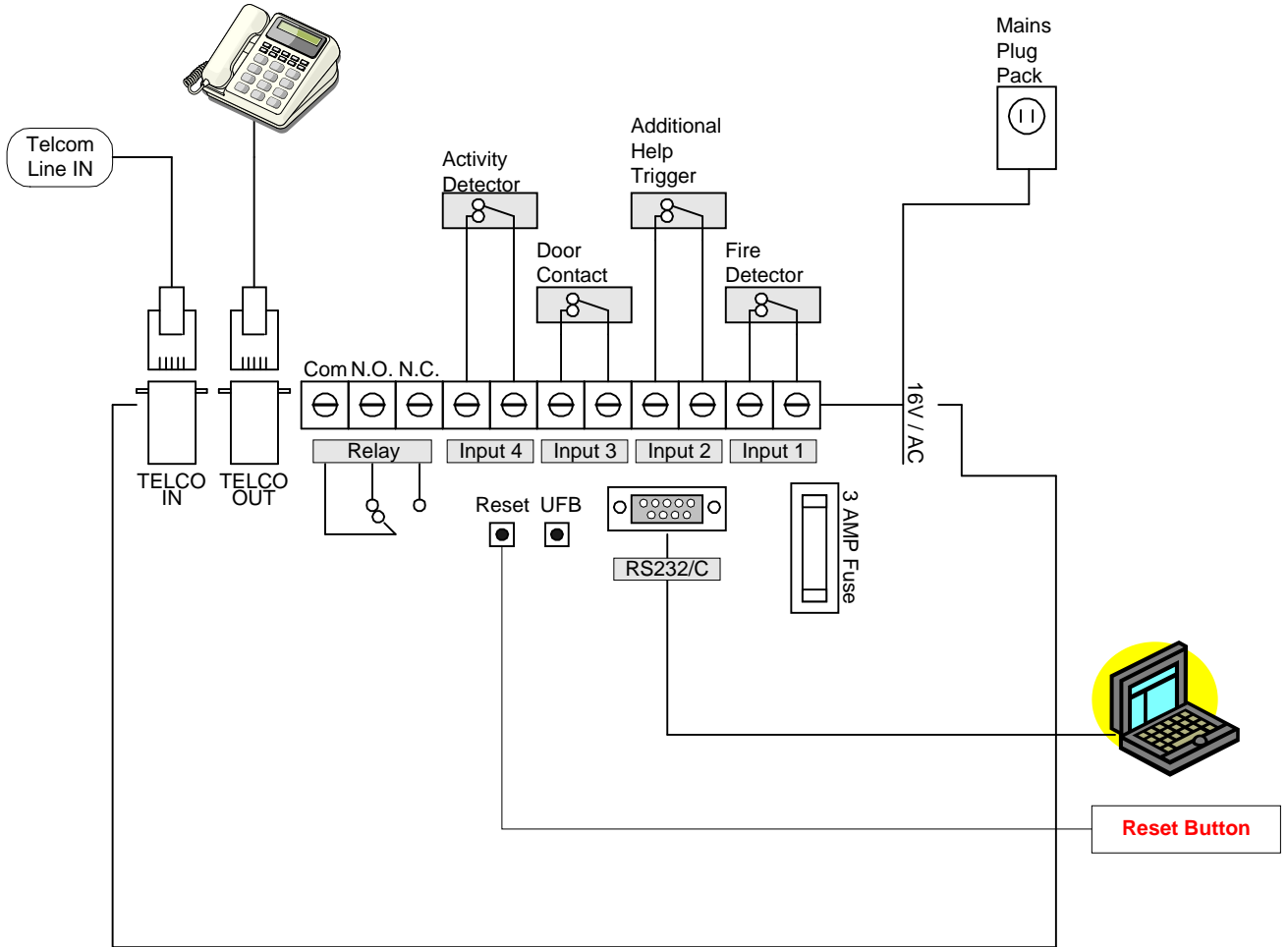
CANCEL Button

- Stops pre-alarm
- Stops trouble beeper
- Press to reset activity timer
- Press for 3 secs to start daily pill reminder

EMERGENCY Button

Press to trigger an emergency alarm

CONSOLE WIRING DIAGRAM



USER MANUAL





- Normal Mode
- Pre-Alarm
- Sending emergency alarm
- Emergency alarm received

GREEN light blinking
Red light blinking + Sounding
Red light fixed on
Red light fixed on + Sound



- Pushed during pre-alarm
- Pushed when console trouble beep
- Push and maintain 3 secs
- Push and maintain 3 secs

Cancels the emergency call
Stops trouble beeper

 Set the pill reminder
Pill reminder alarm will beep 24 hours later
 , unset the pill reminder



- HOME mode selected
Activity monitoring enabled when you are at home
- AWAY mode selected
Activity monitoring disabled. Turn on when you are leaving your home for an extended period

 and yellow light OFF

 and yellow flashing



- DAY mode selected
Activity monitoring enabled when you are at home

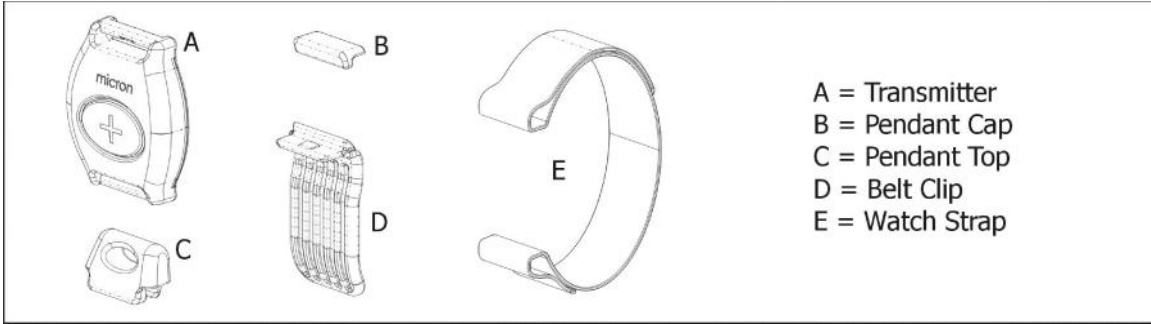
 and blue light OFF

- NIGHT mode selected
Activity monitoring disabled. Turn on when you go to bed. This mode monitors for movement after a pre-programmed time. This time is selected in consultation with your installer. After the pre-programmed time ends, the console will resume monitoring for movement and will generate an alarm if no activity is detected.

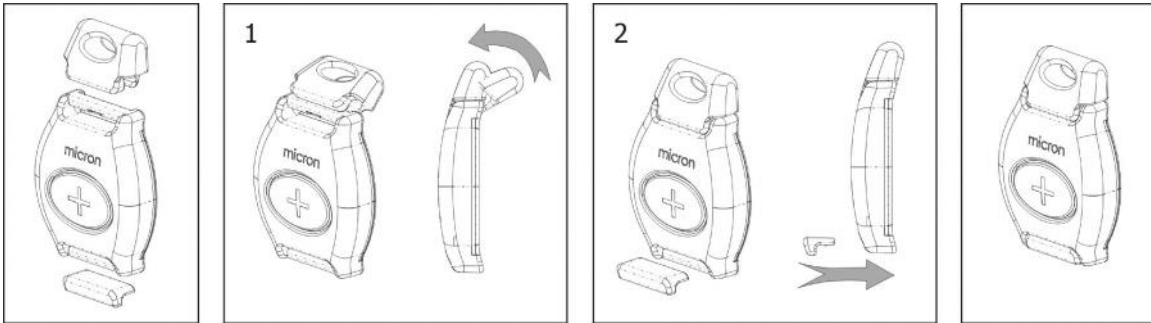
 and blue light ON

TRANSMITTER ASSEMBLY OPTIONS

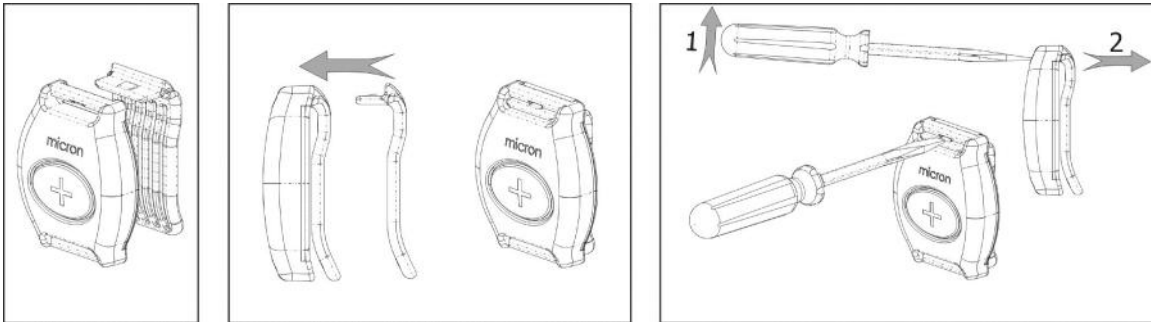
TRANSMITTER COMPONENTS



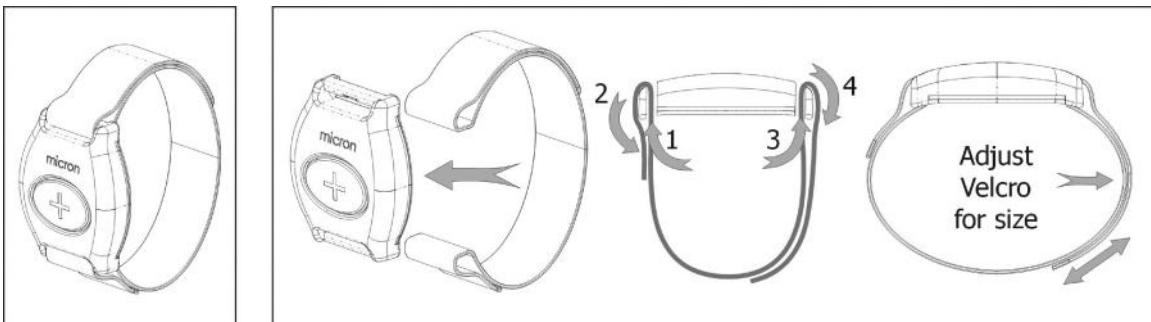
OPTION1: PENDANT



OPTION2: BELT CLIP



OPTION3: WATCH



Programmed Options

Option	Setting
Phone number 1	
Phone number 2	
Phone number 3	
Phone number 4	
Home/Away enabled	
Day/Night enabled	
Email destination address 1	
Email destination address 2	
Email destination address 3	
Email message	

Supplied by:

<p>Contact Person:</p> <p>Company:</p> <p>Phone:</p> <p>Date Installed:</p>

Technical Specifications:

<p>Console :</p> <p>Dimensions : 195 x 220 x 65</p> <p>Weight : 700g (excluding Battery & Plug pack)</p> <p>Normal Current : 60mA</p> <p>Alarm Current : 90mA</p> <p>Ac plug Pack : 230V-AC / 15V-AC</p>	<p>Transmitter :</p> <p>Dimensions : 40 x 50 x 10</p> <p>Weight : 25g</p> <p>Normal Current : 1.8uA</p> <p>Alarm Current : 5mA</p> <p>Battery Backup : 12 V/ 1.3 Ah</p> <p>Battery : CR2430</p> <p>Receiver Type : Super-heterodyne</p> <p>Radio Frequency : 868.3 MHz</p> <p>Maximum Range : 100m (free air)</p>
--	---